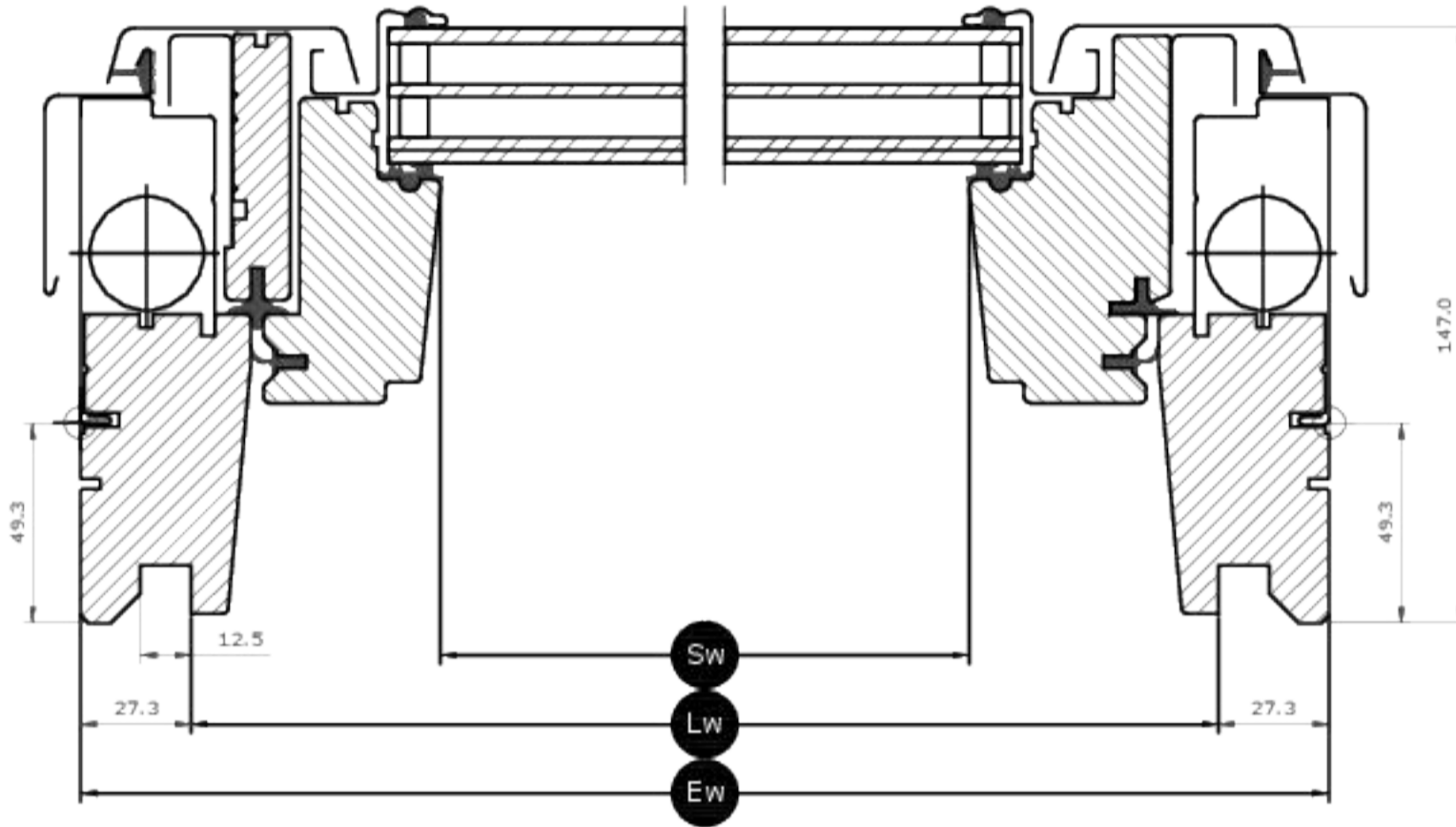


Horizontal section

Above pivot hinge

Upper element

Below pivot hinge



Lower element VEC

